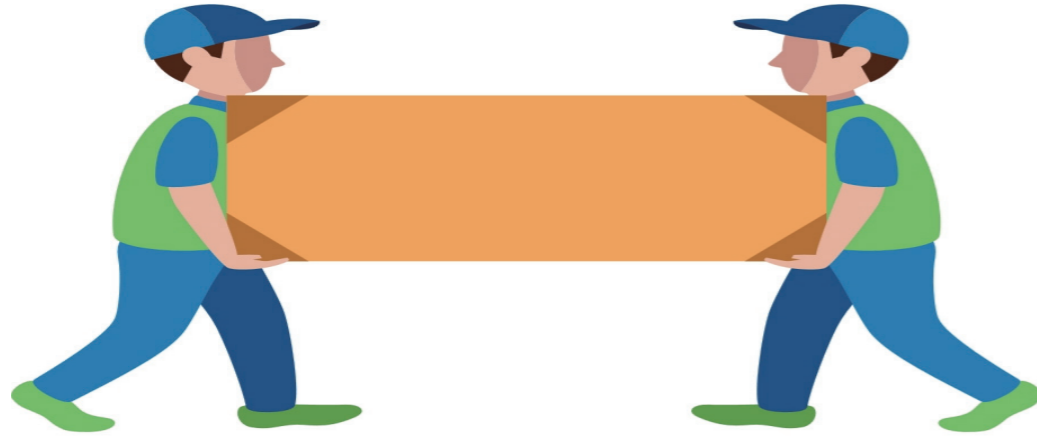


EP CUBE Quick Installation Guide V2.2 for authorized installer only!

Handling and Installation - Two people recommended



Installation Steps

1 Base installation 	2 Battery installation 	3 Top battery installation 	4 Wall bracket installation 	5 PCS installation
-----------------------------------	--------------------------------------	--	---	----------------------------------

1. Base Installation (floor mounting)

STEPS:
Place the base on the floor -- Mark the holes -- Drill the holes -- Install the base on the floor.

Supplied by Installer
 $\phi 5.5 \times 2$ pcs

Torque
 M6 \odot 7N·M

1.2 Base Installation (wall mounting- optional wall mount kit required)

STEPS:
Place the wall mount kit on the wall --- Mark the holes --- Drill the holes-- Install the base on the wall mount kit

Supplied by Installer
 $\phi 5.5 \times 4$ pcs

Torque
 M6 \odot 7N·M

1.3. Base Installation on Wall (floor mounting)

STEPS:
Install base bracket A1 on the base --- Install the base bracket A2 on top of base bracket A1 --- Place the base on floor and fix it on the wall

Supplied by Installer
 $\phi 5.5 \times 2$ pcs

2. Battery Installation

STEPS:
Align the connectors --- Place the battery on the base --- Install the side & back brackets

In battery packaging
 Side Brackets Back Brackets

Torque
 M5 \odot 5N·M

3. Top Battery Installation (Install the top brackets first)

STEPS:
Install top brackets --- Align the connectors --- Install top battery --- Install the side & back brackets.

In battery packaging
 Side Brackets Back Brackets

In PCS packaging
 Top Brackets

Torque
 M5 \odot 5N·M
 M6 \odot 7N·M

4. Wall bracket installation

STEPS:
Place wall bracket on top brackets --- Mark and drill holes --- Install wall bracket on wall & top brackets

Supplied by Installer
 $\phi 5.5 \times 4$ pcs

In PCS packaging
 Wall Bracket

Torque
 M6 \odot 7N·M

5. PCS installation

STEPS:
Stack the PCS on top battery --- Install the side brackets --- Install the L brackets

In PCS packaging
 L Brackets Side Brackets

Torque
 M5 \odot 5N·M
 M6 \odot 7N·M

Wiring Steps

Red devices: Supplied by Installer
Black devices: Included with EP Cube

1. PV TO EP Cube (It is recommended to install an external DC PV breaker between the EP Cube and the strings. Check string polarity prior to connection with multimeter).

In PCS Packaging

- Devalan Connector Contact Pins (Female) 2 PCS
- Devalan PV Connectors (Female) 2 PCS
- Devalan Connector Contact Pins (Male) 2 PCS
- Devalan PV Connectors (Male) 2 PCS
- Devalan PV Connector Disassembly Tool 1 PCS

1 Crimp the male/female Pins, but not the stopper

2 Assemble the connectors.

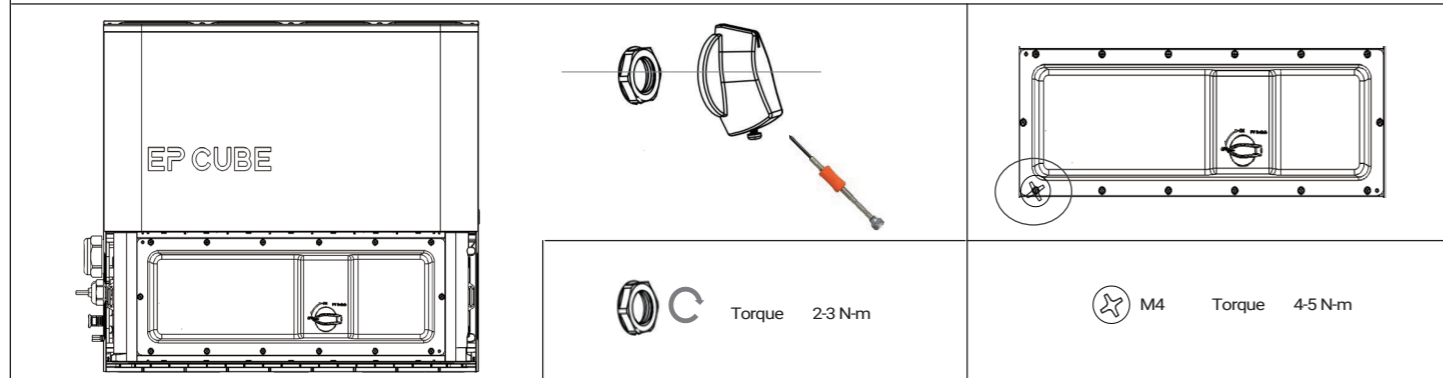
3 Plug the connectors to the PCS

4 Lock the connectors.

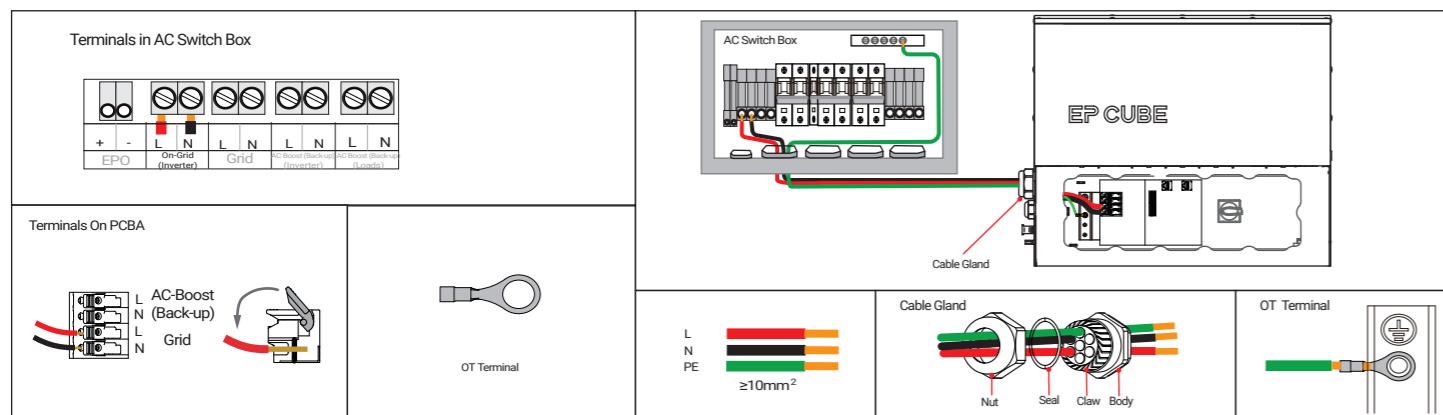
Wiring With Optional AC Switch Box

2. Remove Front Panel and Dead-front Cover

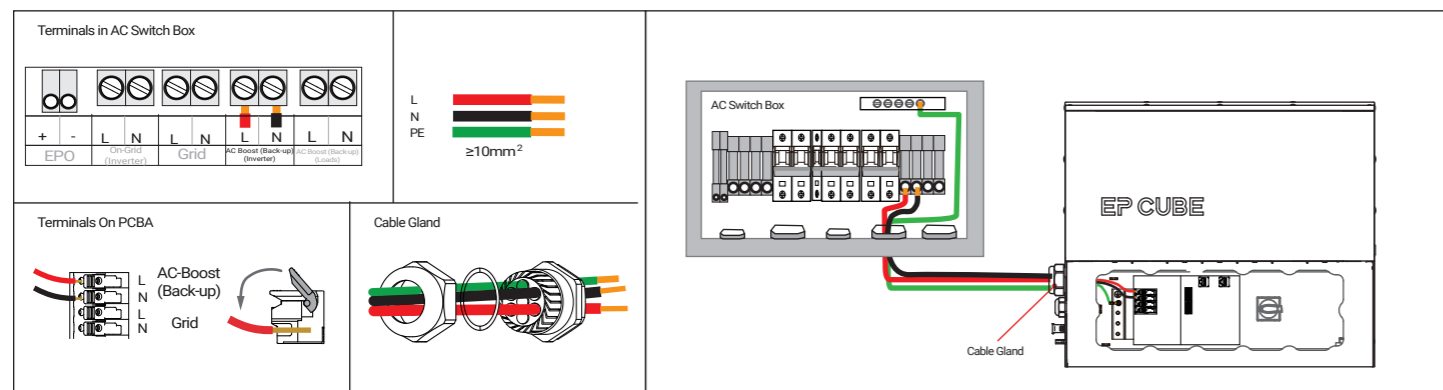
STEPS:
Remove the front cover --- Uninstall the PV switch and sealing ring behind --- Unfasten the screws on the deadfront board.



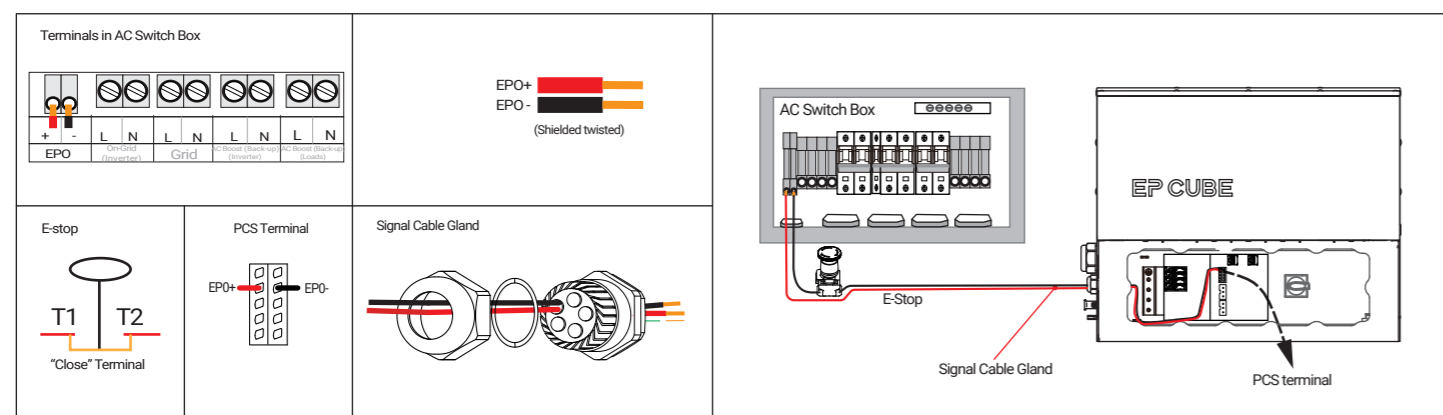
3. PCS On-Grid to AC Switch Box



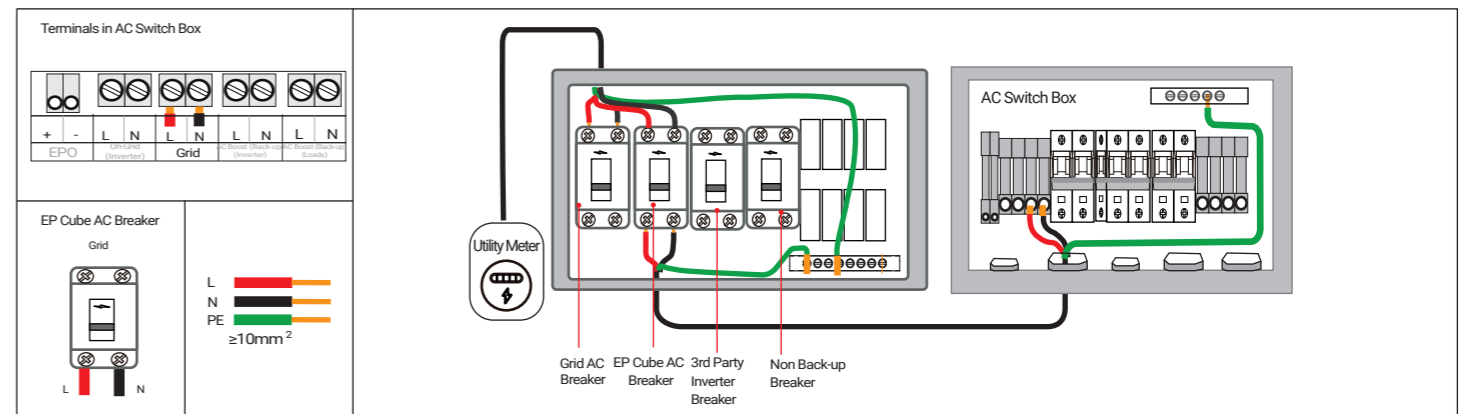
4. PCS AC Boost (Back-up) To AC Switch Box



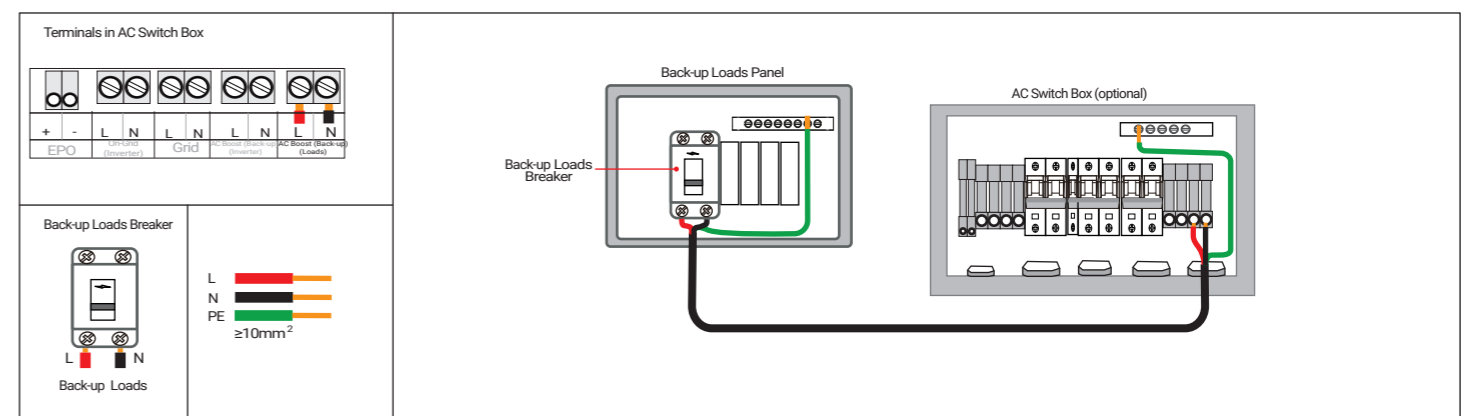
5. Emergency Stop Button (optional) - (Connect T1 to EPO+ of the AC Switch Box --- Connect T2 to EPO+ of the PCS --- Connect EPO- of the AC Switch Box to EPO- of the PCS).



6. EP Cube AC Breaker to ACS with Box

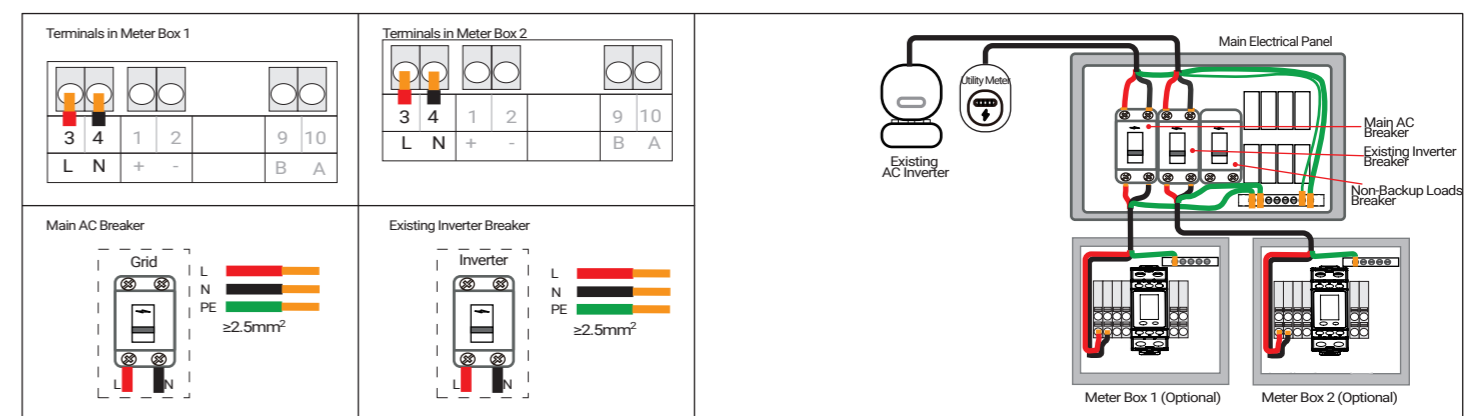


7. Back-up Load to AC Switch Box

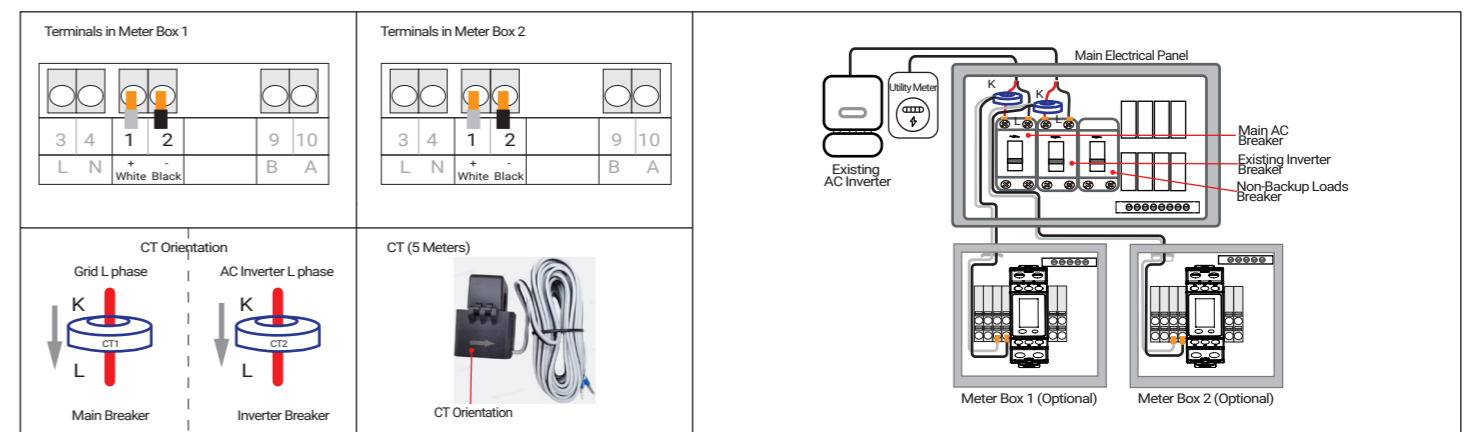


Wiring With Optional Meter Box

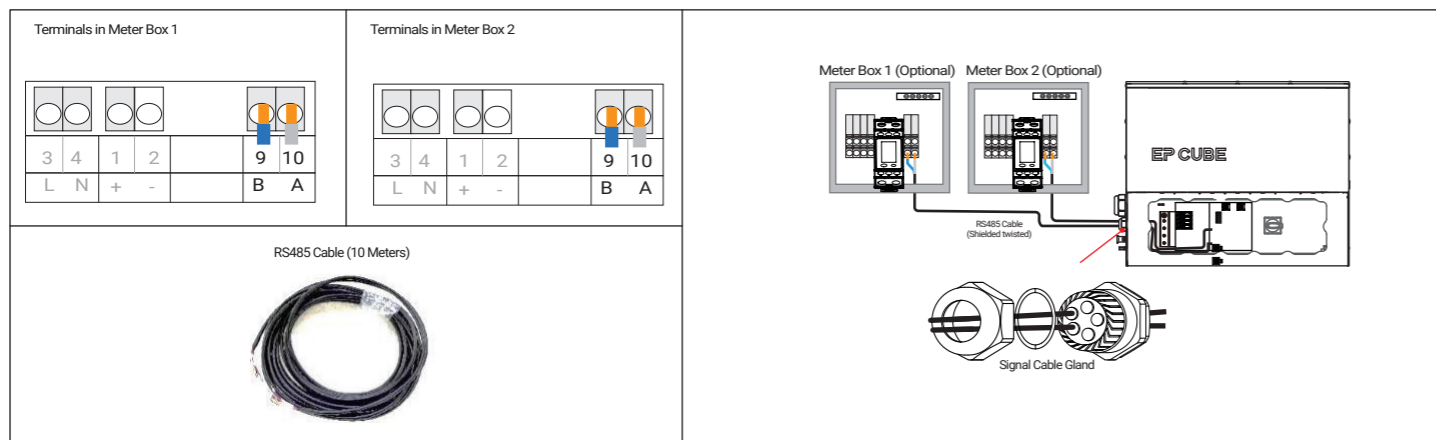
8. Meter Box Voltage Connection



9. CTs Installation (if there is an existing or new third party solar inverter, an optional meter maybe installed to read inverter power production).

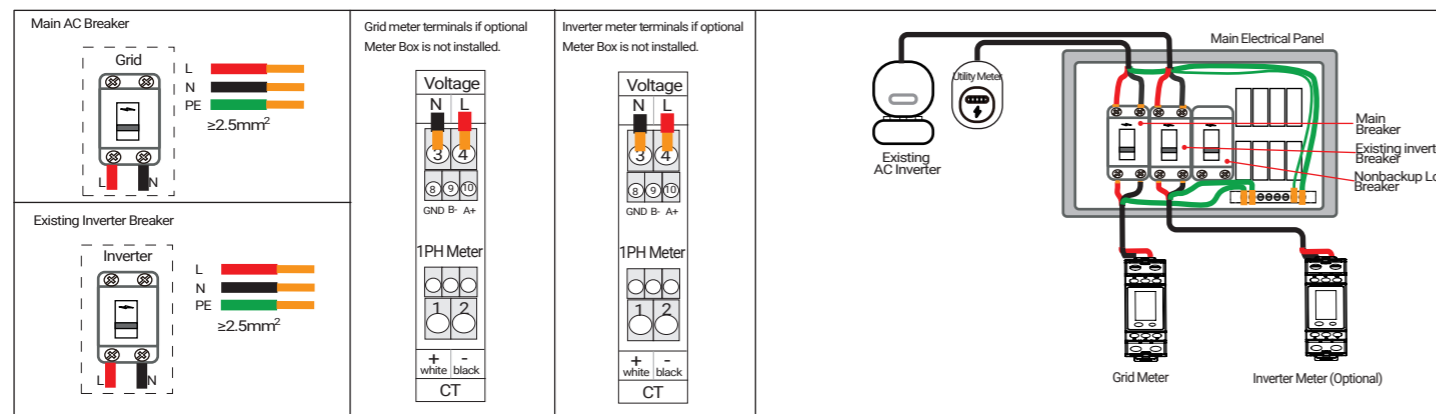


10. RS485 Signal Connection

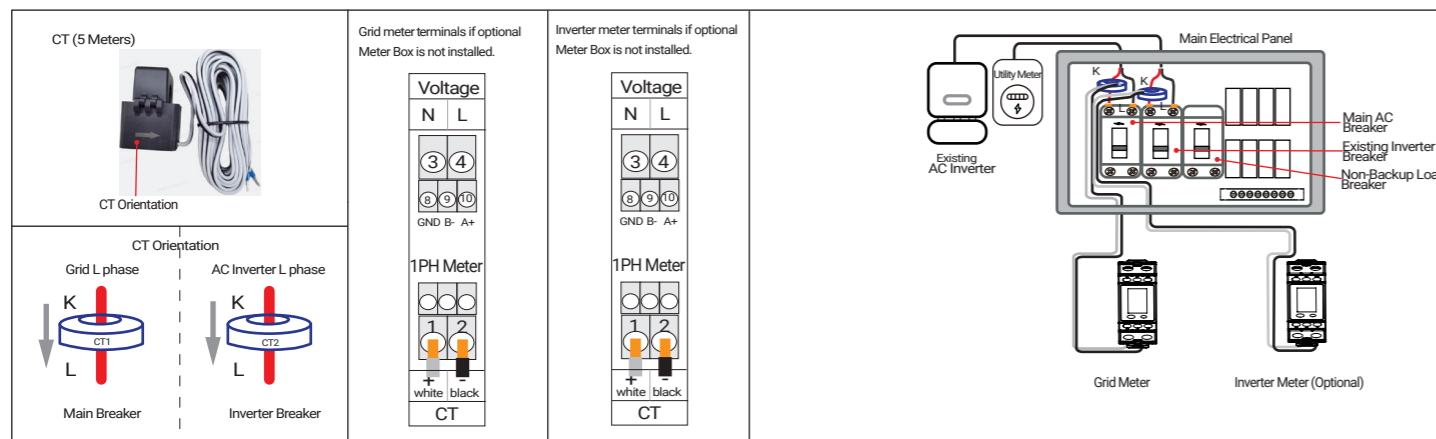


Wiring Without Optional Meter Box

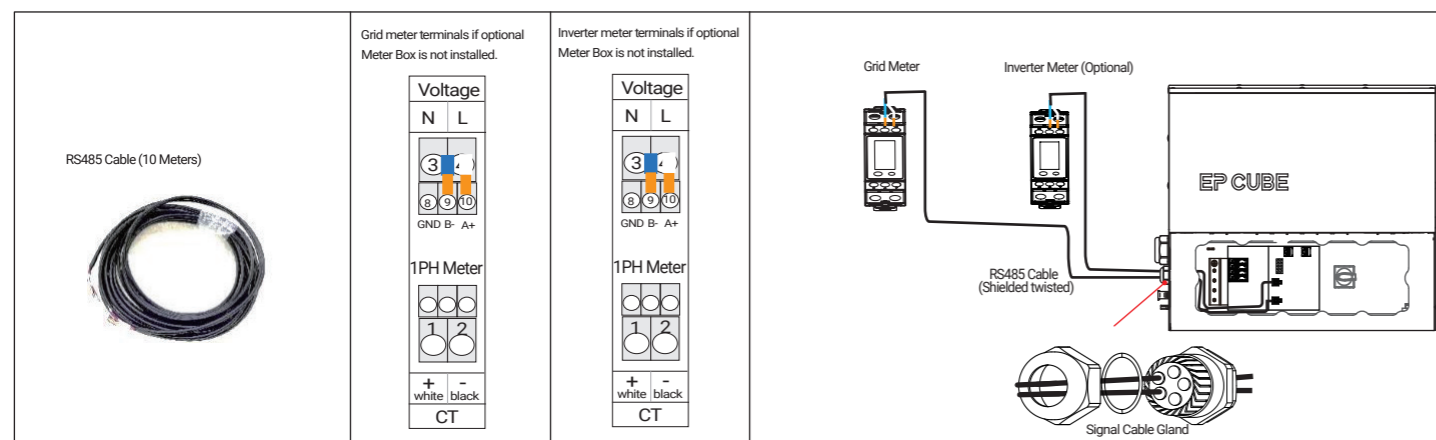
11. Single Phase Meter Voltage Connection Without Optional Meter Box



12. CTs Installation Without Optional Meter Box (if there is an existing or new third party solar inverter, an optional meter maybe installed to read inverter power production.)

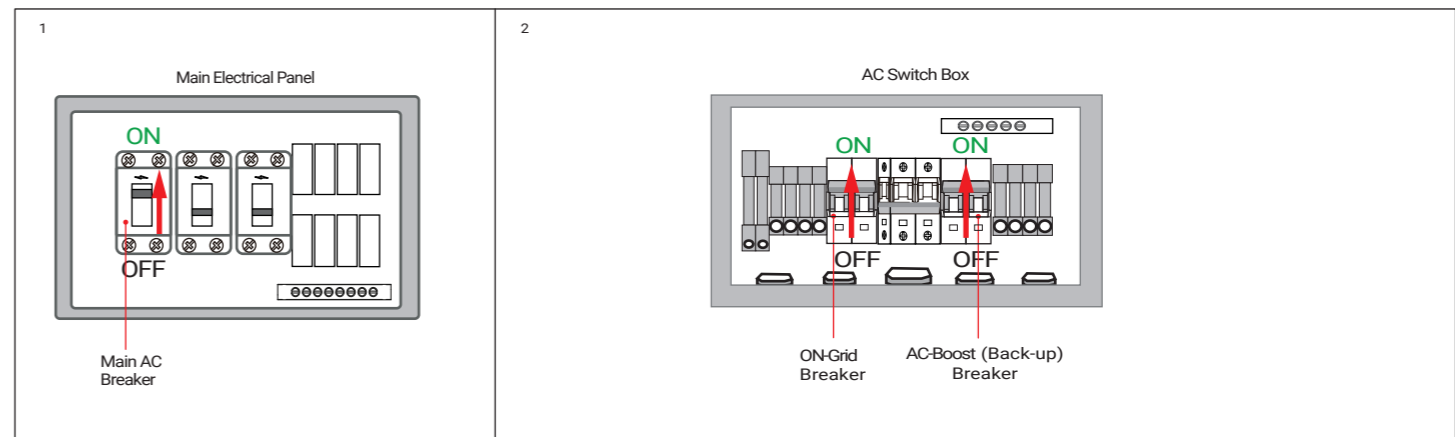


13. RS485 Signal Connection Without Optional Meter Box



Commissioning via EP CUBE App

14. Power on EP CUBE, Operate EP CUBE in Standby for Commissioning (Turn on Main AC Breaker --- Turn on AC ON-Grid and AC-Boost (Back-up) breakers)



15. Download the EP CUBE APP for Commissioning (Download --- Log in to your installer account --- "More" page --- "Commissioning" --- "Installation")



16. Activate EP CUBE (Turn on the PV switch --- Press the button for 3 sec --- Assemble the side covers)

